



**FOR INSTALLATION HELP BY VIDEO,  
FIND THIS PRODUCT ON SOFTCLOSE.COM**

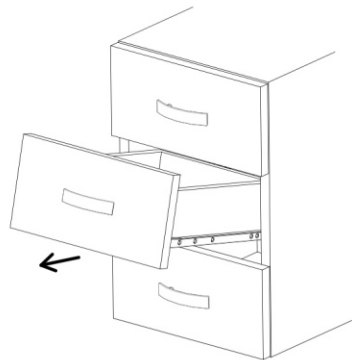
A)  x1 adapter

B)  x1 actuator

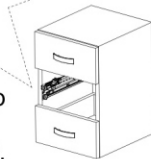
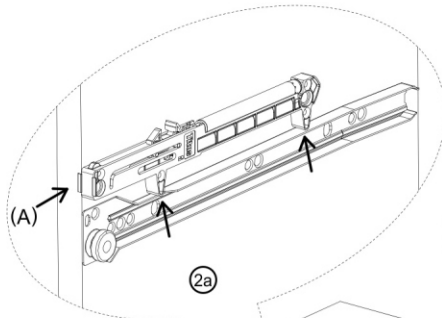
C1)  x2 flat head screws

C2)  x3 pan head screws

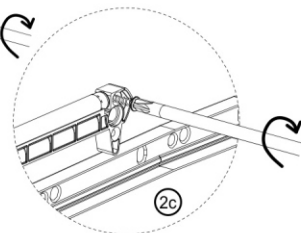
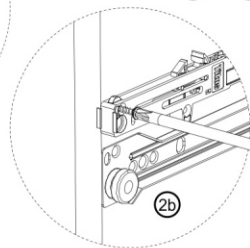
① Empty contents of drawer and remove from cabinet.



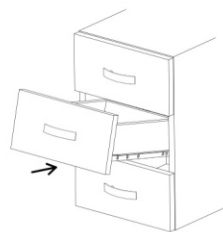
②a Set adapter (A) on top of left or right drawer slide inside of cabinet.



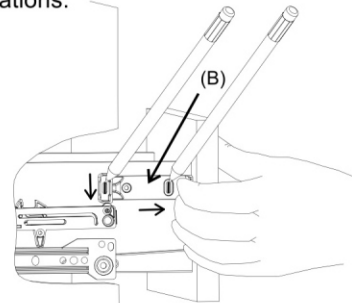
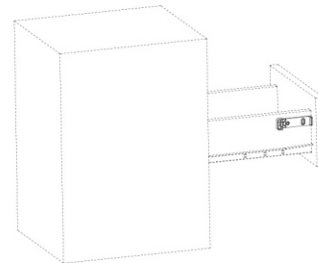
②b & ②c Screw (C1) into the front and back of adapter (A).



④ Align actuator (B) just above the adapter (A). Using a pencil, mark far left hole and far right hole of actuator for screw locations.

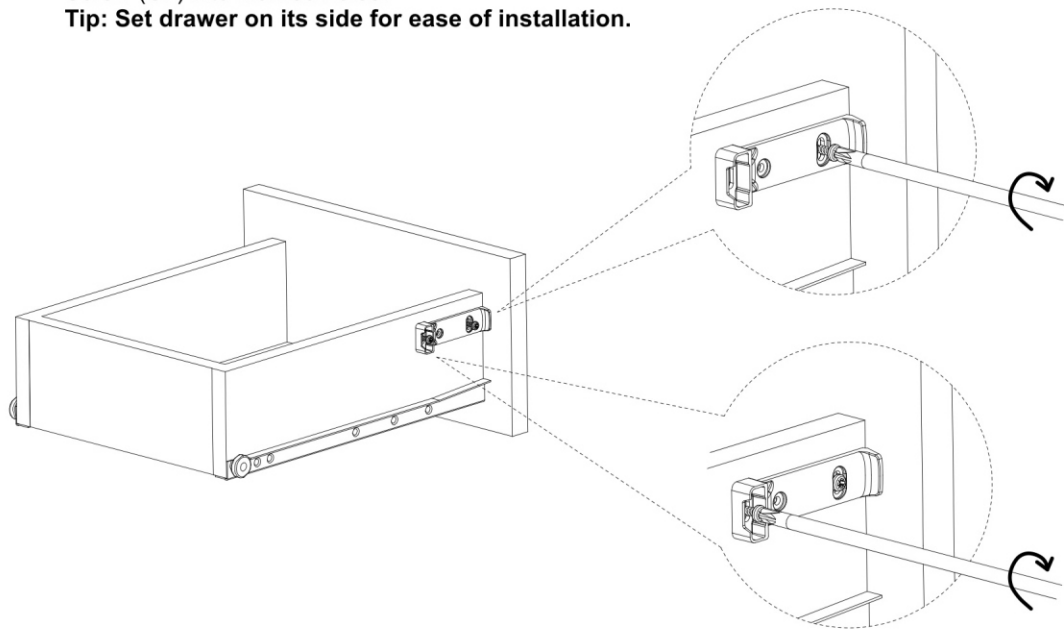


③ Return drawer to cabinet.

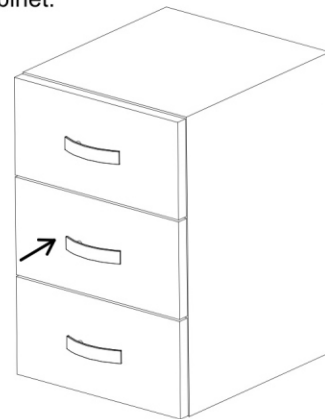


- ⑤ Remove drawer from cabinet.  
Screw (C2) into marked holes.

**Tip: Set drawer on its side for ease of installation.**



- ⑥ Return drawer to cabinet.



- ⑦ Test close-ability of drawer. Make adjustments to height of actuator (B), as needed. When drawer closes smoothly, insert last screw (C2) into middle hole of actuator (B).

