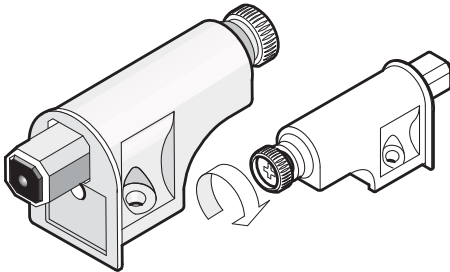
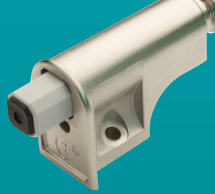




PRESENTS...

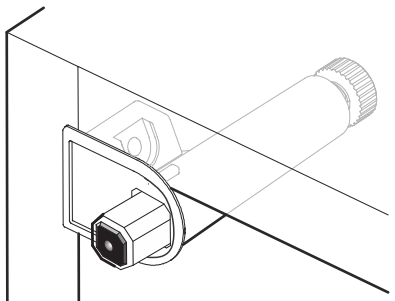
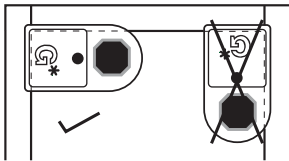
unisoft
by
GRASS®

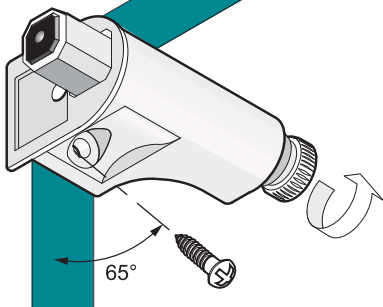
SOFT CLOSE
CABINET DOOR
DAMPER



- For face frame cabinets (For any door overlay)
- For frameless style cabinets (Full overlay)
- Non-handed (Can be installed on left side or right side of cabinet)
- Sleek design blends in well with hinge finish

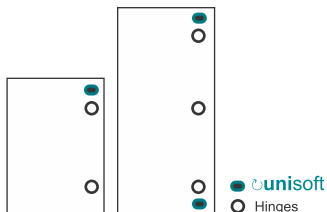
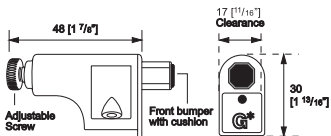
The **unisoft** damper can be used universally in any cabinet construction.





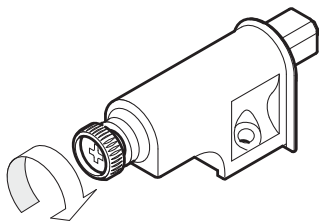
MOUNTING

The **unisoft** damper mounts easily in the corner of the cabinet on the side where the hinge is located. To prevent damaging your cabinets, pilot drill 2.3 mm \varnothing [3/32"], 1/4" deep only, for a #6 x 3/4" pan head screw.



NUMBER PER DOOR

Use one **unisoft** damper for most applications. For heavier doors use two or more. Trial mount recommended.



ADJUSTMENT

Turn adjustment screw to move damper in and out. Adjust in for heavier doors or out for lighter doors.